

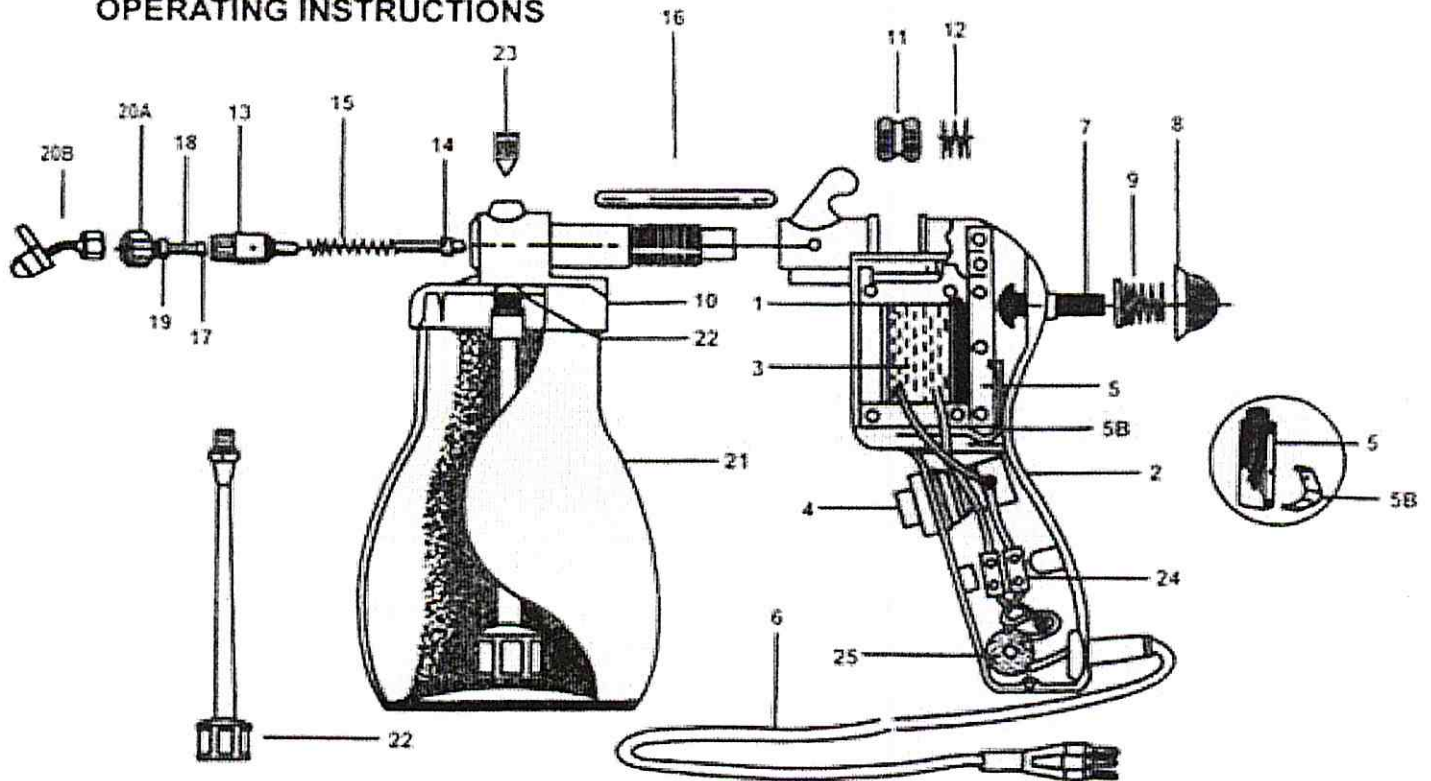


YH-170



YH-170+20B

OPERATING INSTRUCTIONS



ITEM	PART NO.	DESCRIPTION	ITEM	PART NO.	DESCRIPTION
1	YH-170-1	GUN HOUSHING COVER	13	YH-170-13	PUMP CYLINDER
2	YH-170-2	GUN HOUSHING COVER	14	YH-170-14	PISTON
3	YH-170-3-1	ELECTRIC DRIVE UNIT 110V/60HZ	15	YH-170-15	PISTON SPRING
	YH-170-3-2	ELECTRIC DRIVE UNIT 220V/50HZ	16	YH-170-16	INTERMEDIATE PUSH ROD
4	YH-170-4	TRIGGER SWITCH	17	YH-170-17	DELIVERY VALVE CONE
5	YH-170-5	SILICON STEEL PLATE	18	YH-170-18	DELIVERY VALVE SPRING
5B	YH-170-5B	SPRING PLATE	19	YH-170-19	SWIRL HEAD
6	YH-170-6-1	ELECTRIC LEAD 110V	20A	YH-170-20A	A NOZZLE HEAD
	YH-170-6-2	ELECTRIC LEAD 220V	20B	YH-170-20B	B NOZZLE HEAD
7	YH-170-7	ARMATRUE BUFFER STOB	21	YH-170-21	CUP
8	YH-170-8	VOLUME CONTROL KNOB	22	YH-170-22	SUCTION PIPE
9	YH-170-9	VOLUME CONTROL SPRING	23	YH-170-23	PUMP UNIT LOCKING SCREW
10	YH-170-10	FRONT BODY	24	YH-170-24	TERMINAL BLOCK
11	YH-170-11	ADJUSTING ROLLER	25	YH-170-25	FIXING RUBBER
12	YH-170-12	ADJUSTING ROLLER SPRING			