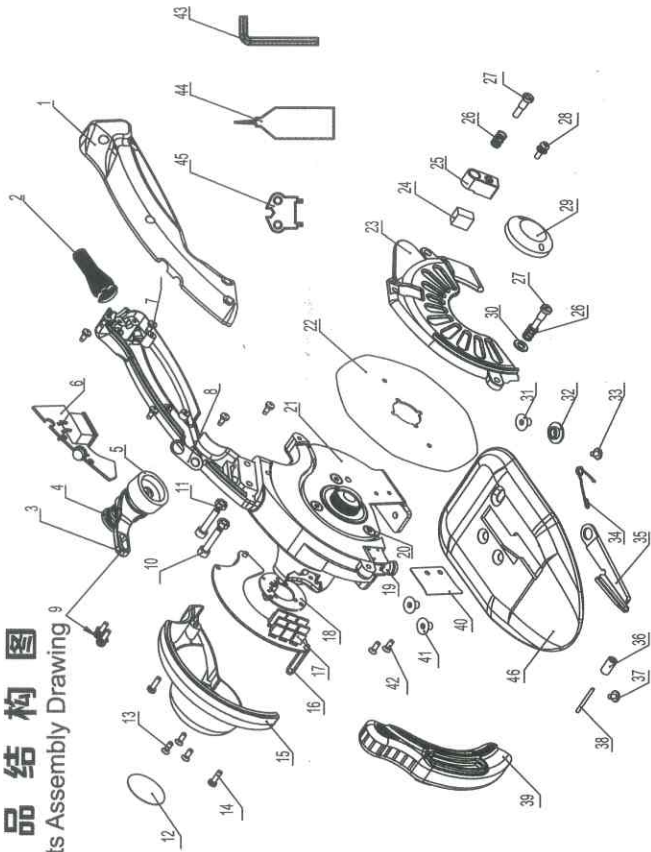


产品结构图

Parts Assembly Drawing



序号 NO.	零件名称 Parts Name	序号 NO.	零件名称 Parts Name	序号 NO.	零件名称 Parts Name
1	手柄 Drive Handle	17	主板 Main Control Panel	32	二阶螺母 Two Steps Nut
2	手柄电源线护簧 Spring	18	霍尔板 Hall Panel	33	台阶螺钉 M3*6 Step Screw
3	磨刀器架 Shapener Frame	19	LED照明灯 LED Light	34	下刀弹簧 Under Knife Spring
4	磨刀器组件 Shapener Component	20	螺钉 M4*8 Sunk Screw	35	下刀 Under Knife
5	砂轮 Grinding Wheel	21	支架板 Standard	36	冶金滚子 Roller
6	手柄板 Handle Panel	22	刀片 (八角) Knife	37	螺钉 M3*5 Screw
7	螺钉 M3*8M3*8 Screw	23	护罩 Shield	38	滚子轴 Roller Shaft
8	开关标签 Switch Label	24	油毛毡 Oil Felt	39	护刀器 Knife Guard
9	组合螺钉 M4*12 Combination Screw	25	储油器 Knife Oiler	40	分布片 Separator
10	内六角螺钉 1/4*20 Inner Hexagon Screw	26	压力弹簧 Pressure Spring	41	螺钉 M3*3*4 Sunk Screw
11	螺母 M4 Nut	27	储油螺钉 Screw for Oiler	42	内六角螺钉 M5*6 Inner Hexagon Screw
12	滴塑商标 2.8CM Label	28	组合螺钉 M3*10 Combination Screw	43	M3内六角扳手 Inner Hexagon Wrench
13	螺钉 M3*5*4 Sunk Screw	29	刀片压盘 Blade Pressure Plate	44	配件油壶 Oiler
14	螺钉 M3*8*4 Sunk Screw	30	平垫 Flat Washer	45	蝶形扳手 Butterfly Wrench
15	后罩 Cover	31	内六角螺钉 M5*7 Inner Hexagon Screw	46	底板 Chassis
16	六角螺钉 隔离柱 M3*25/26/27 Hexagon Screw Insulate Column				

MOD. RCS-100